

PCB Support Series

KLS8-DBL Series

Specification parameters

Materials: Brass

Plating: according to customer requirements

Size:

D: M2.5; M3; M4; 4#40; 6#32

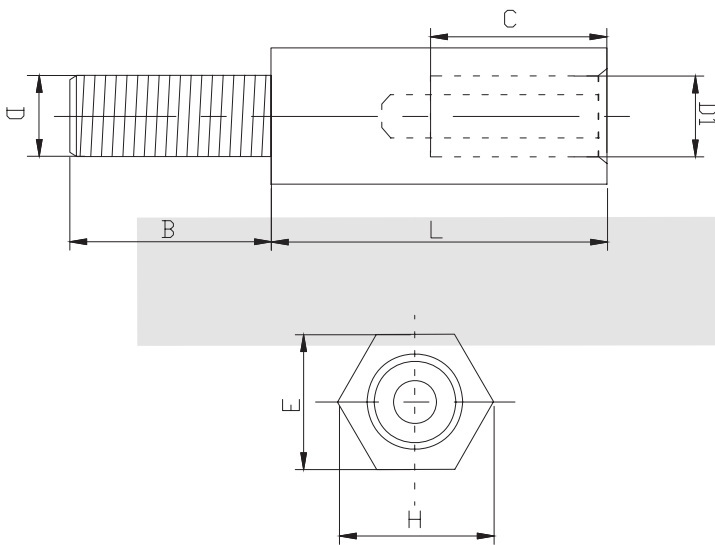
E: 5; 6

H:5.5; 7

L:According to customer requirements

B:According to customer requirements

C:According to customer requirements



Type	D1	E	C	L
KLS8-DBL-M2	M2	E4.0	3	
KLS8-DBL-M2.5	M2.5	E4.7	6	
KLS8-DBL-M3	M3	E4.7	6	
KLS8-DBL-M4	M4	E5.5/E6.0	6	
KLS8-DBL-M5	M5	E7.0	7	
KLS8-DBL-M6	M6	E8.0	8	

customizable

ORDER INFORMATION

Product NO.: KLS8-DBL-M3-E5.0-L10

Pos. No. _____

Series No. _____

See drawings